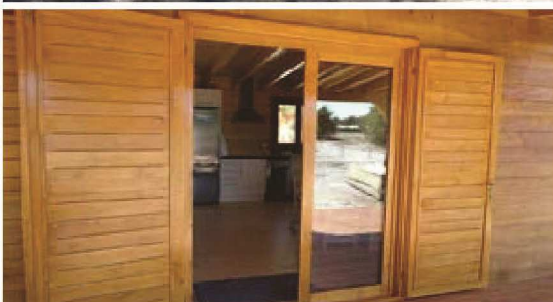
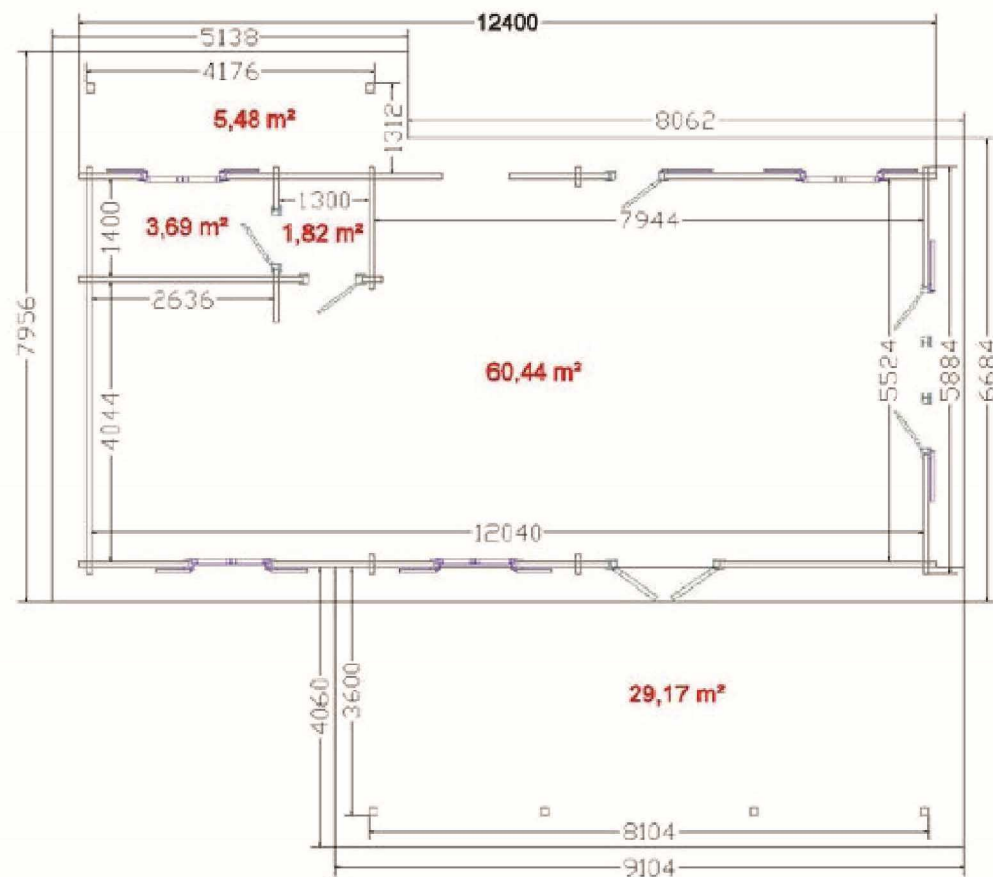




NORDIC  
HOMES  
EXAMPLES



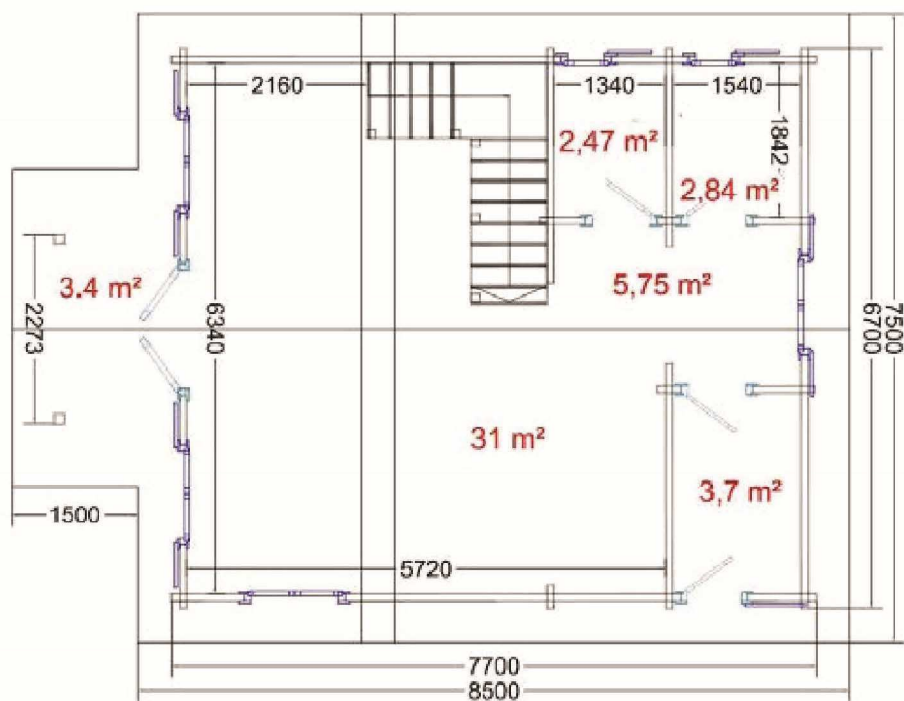
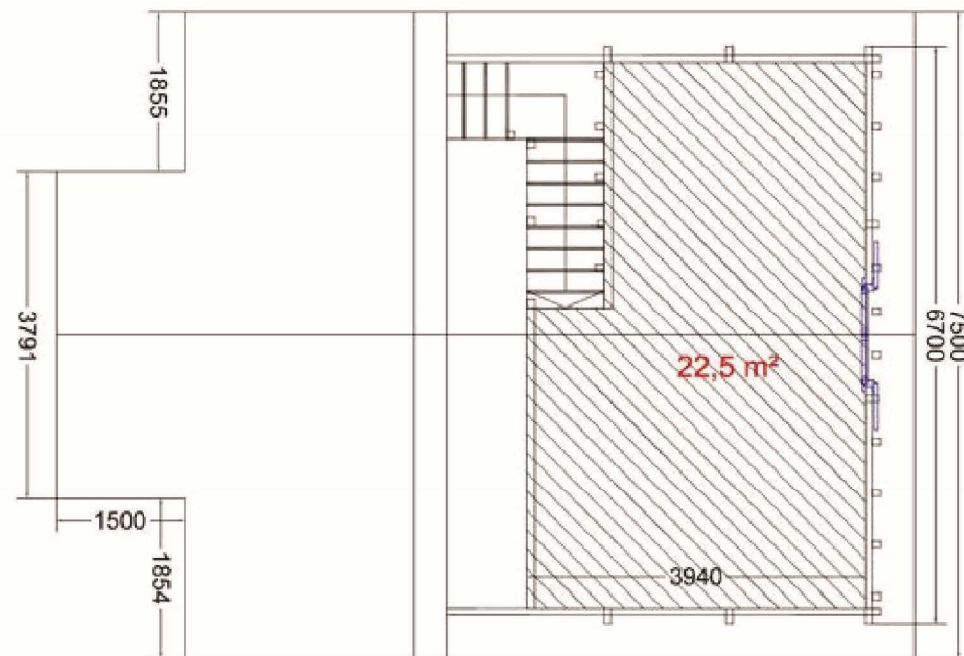
**ANDRA 66.5m<sup>2</sup>**



**ANDRA ANDRA**



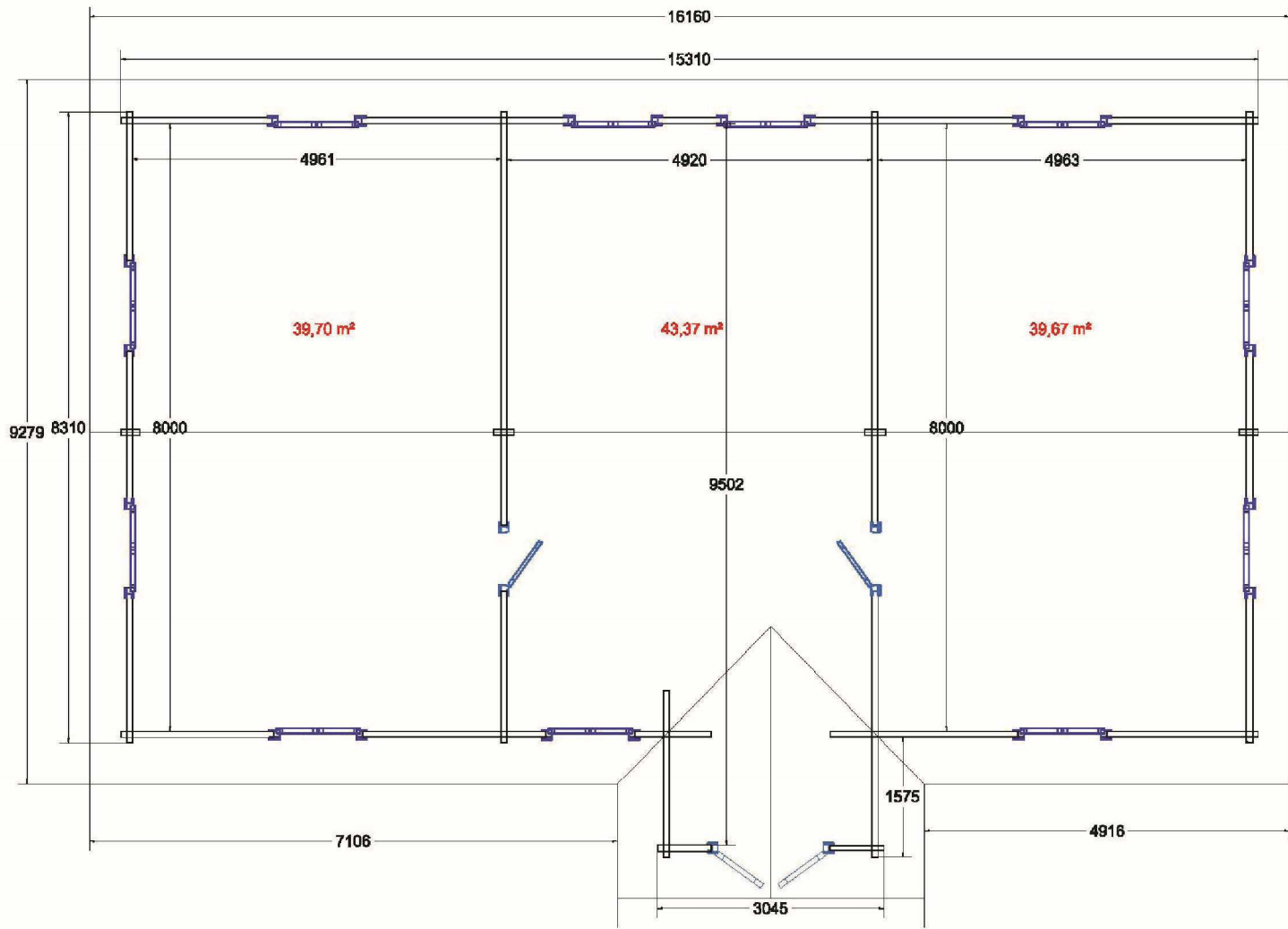
**ARGOS 68.9m<sup>2</sup>**



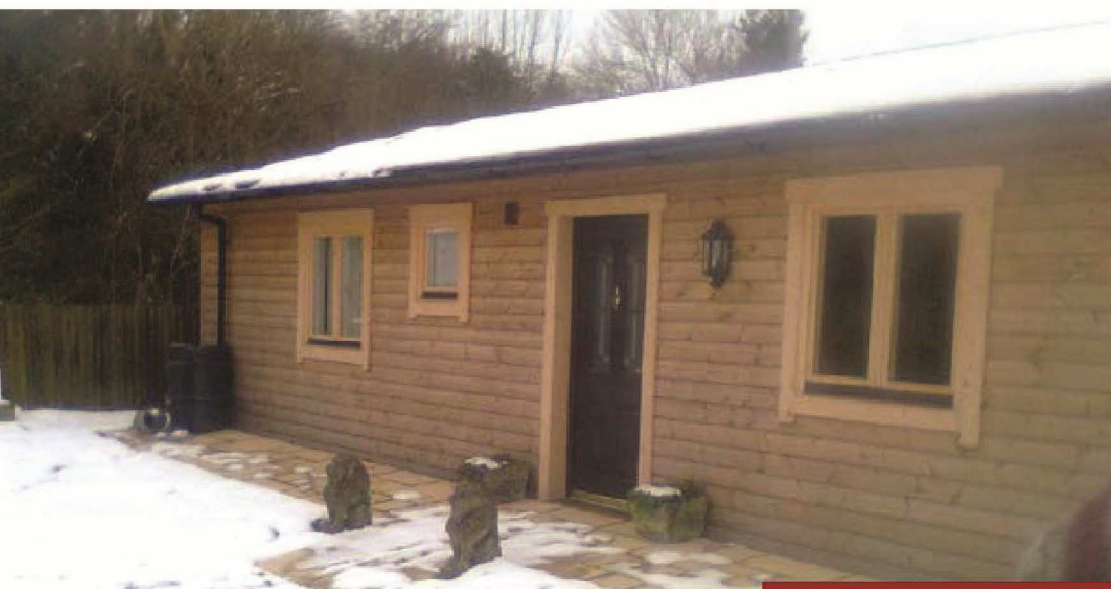
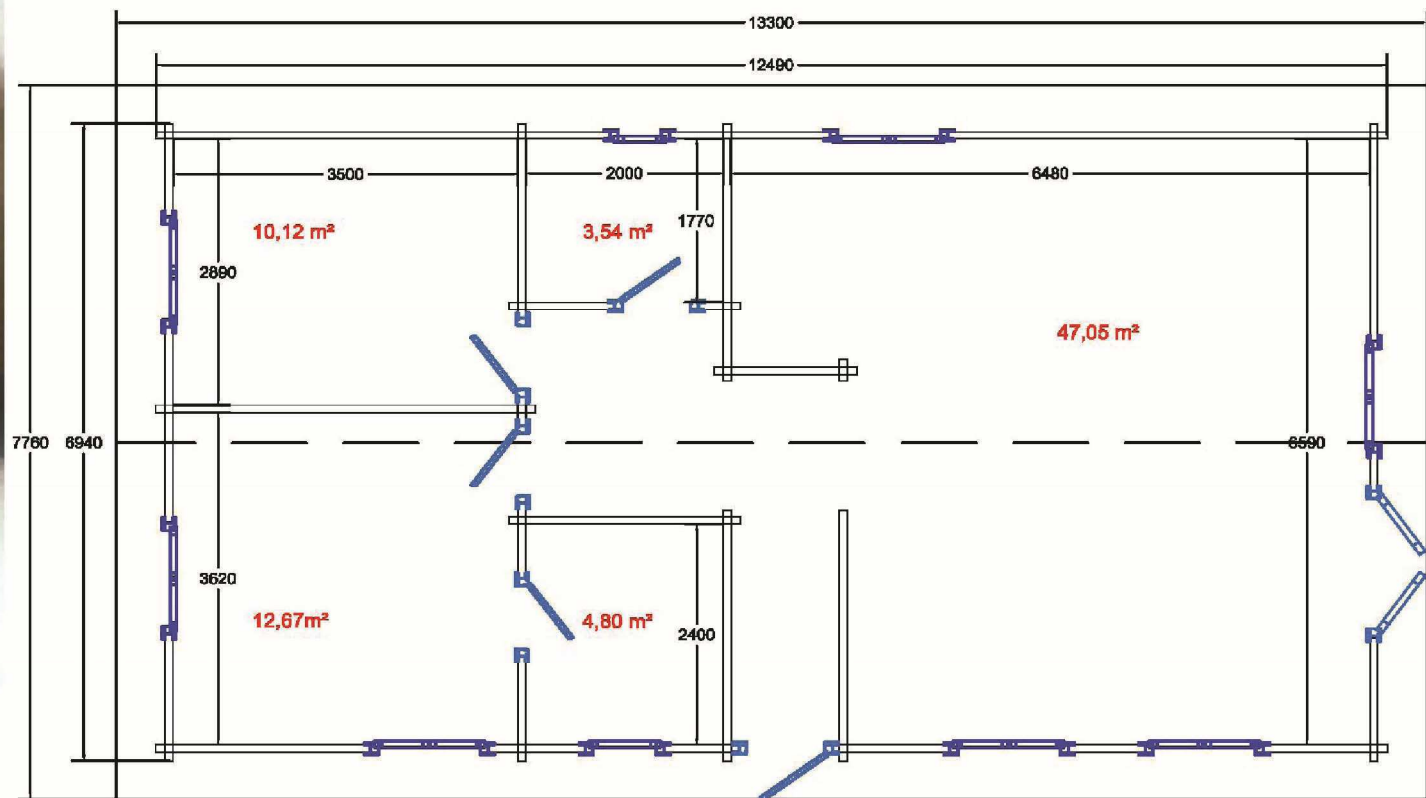
**ARGOS ARGOS**



**CHESTER 124.2m<sup>2</sup>**



**CHESTER CHESTER**

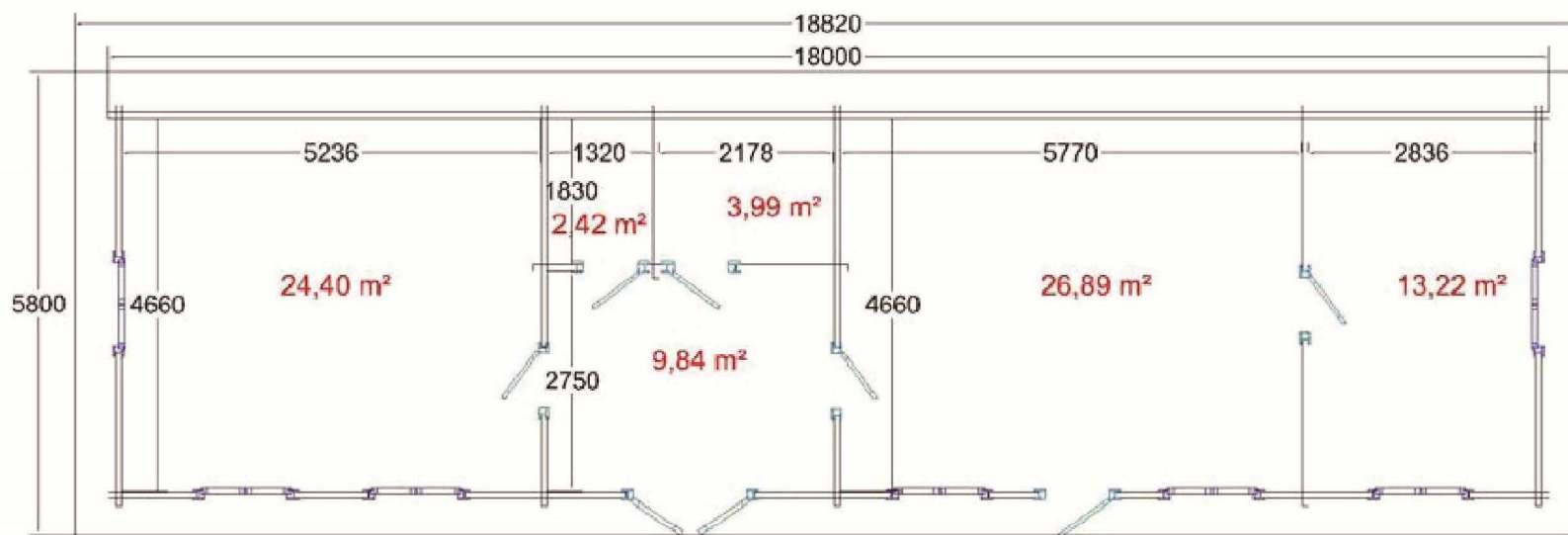


**DUBLIN 83m2**

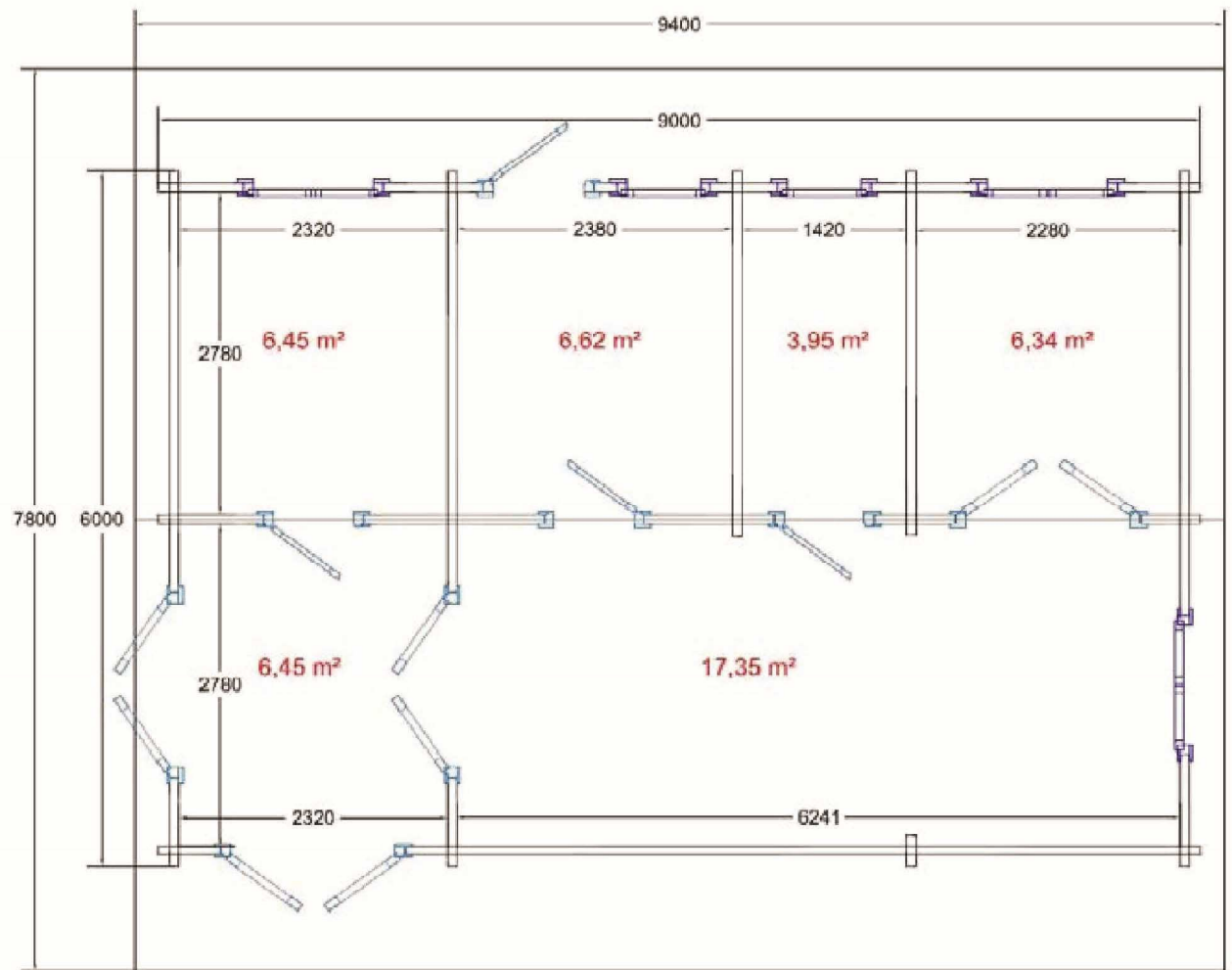




**OXFORD 86m<sup>2</sup>**



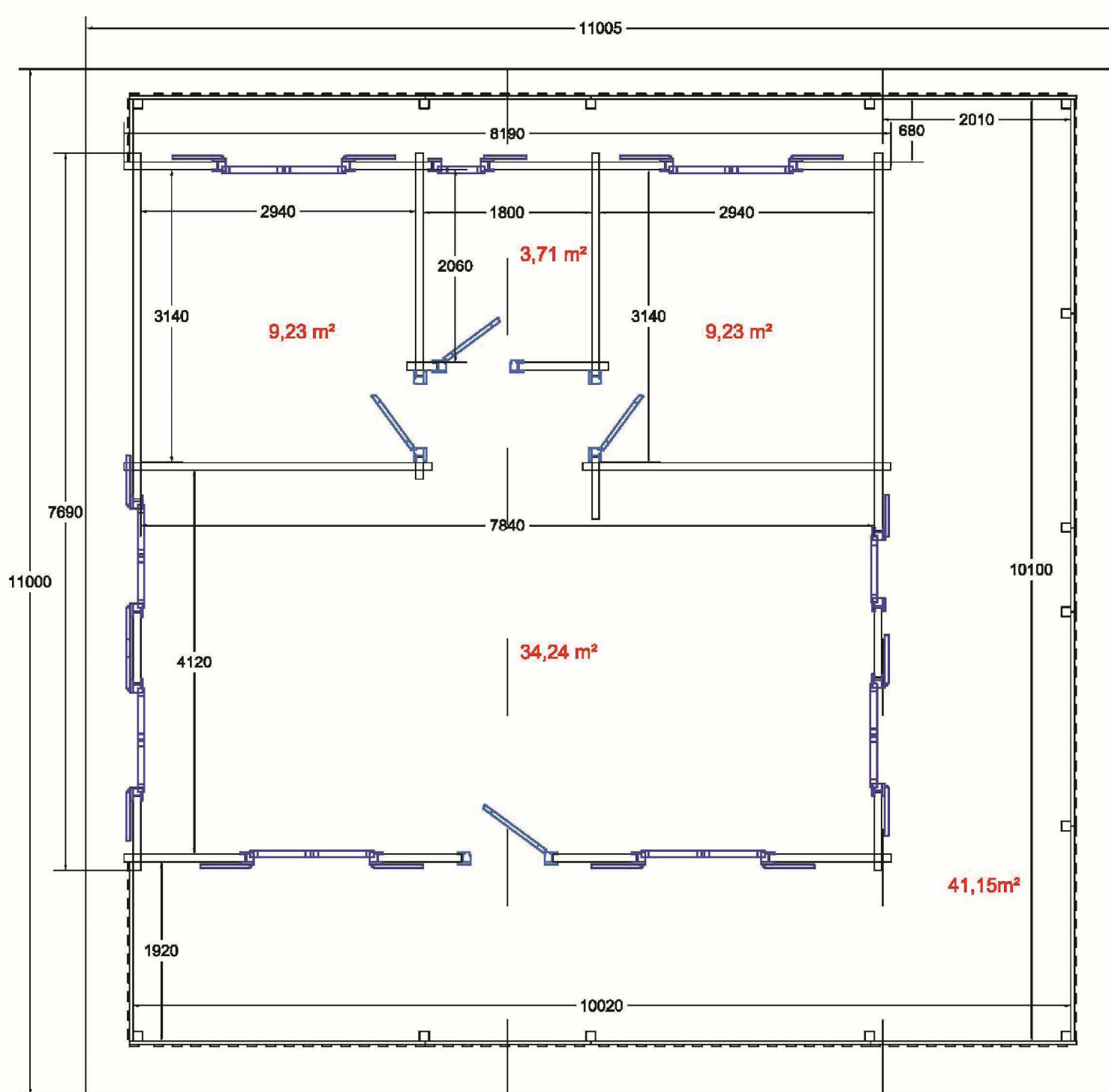
**OXFORD OXFORD**



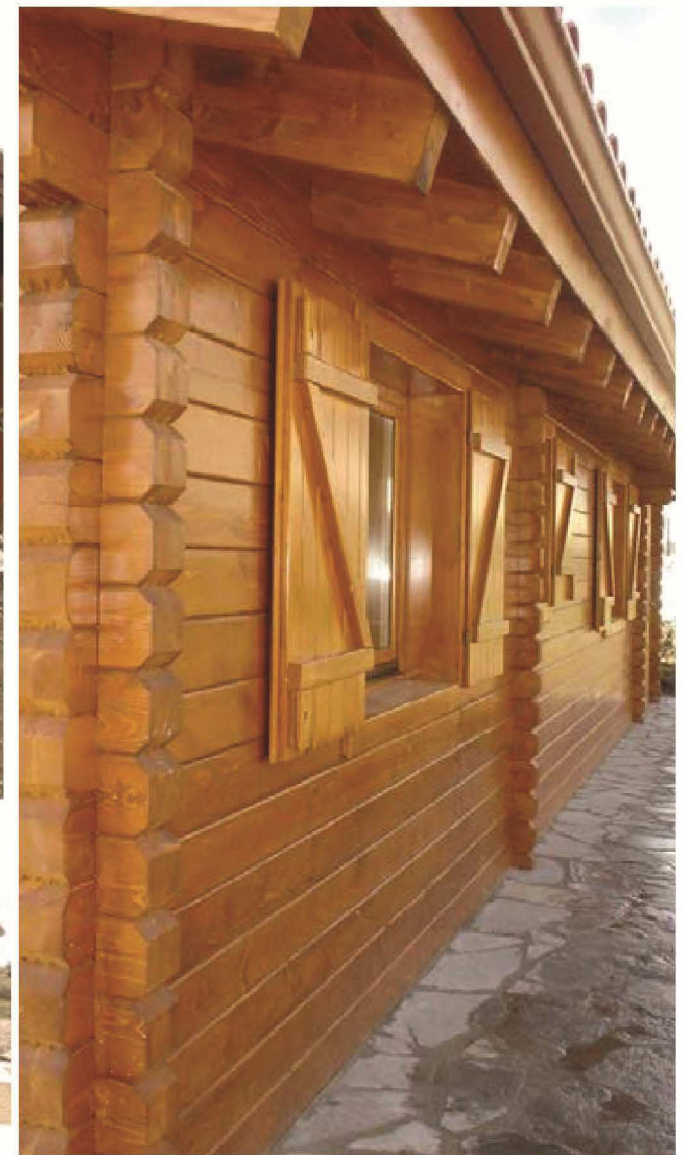
**PRESTON 82.5m<sup>2</sup>**



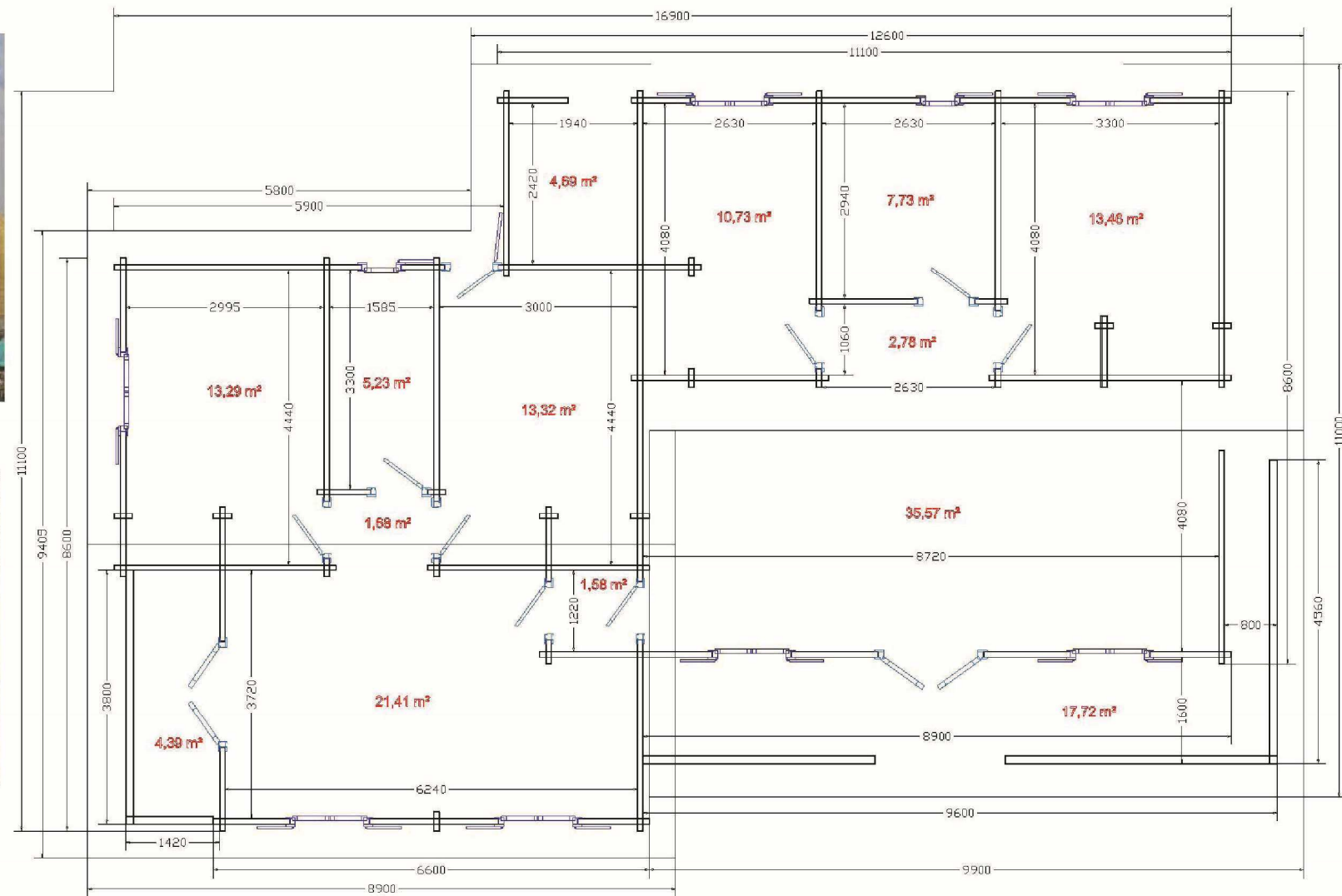
**REA 60m<sup>2</sup>**



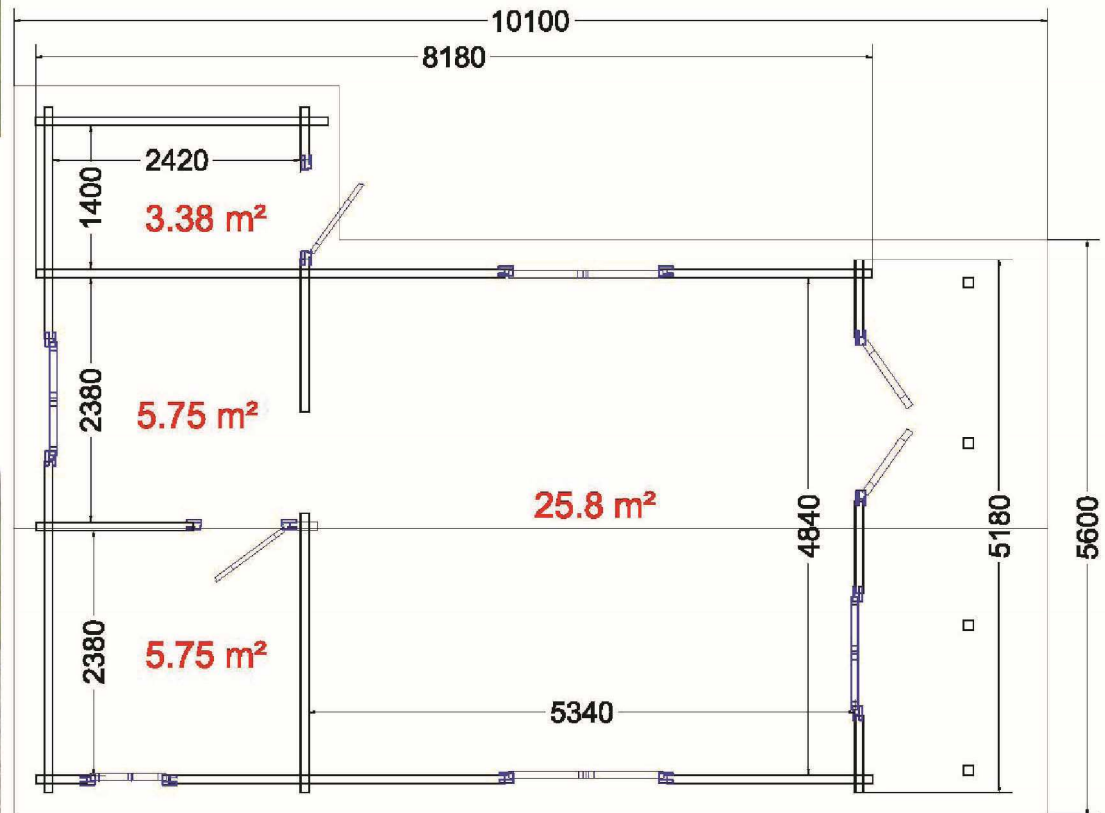
REA



**RITA 135m2**

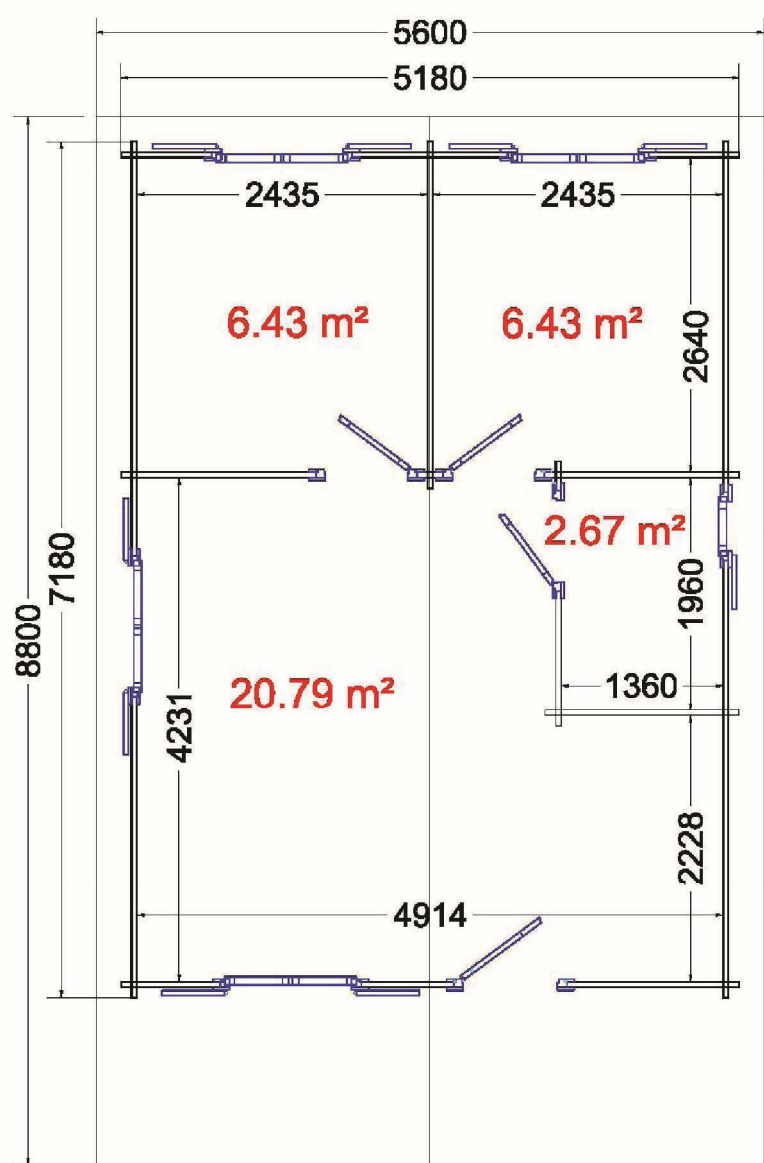


RITA

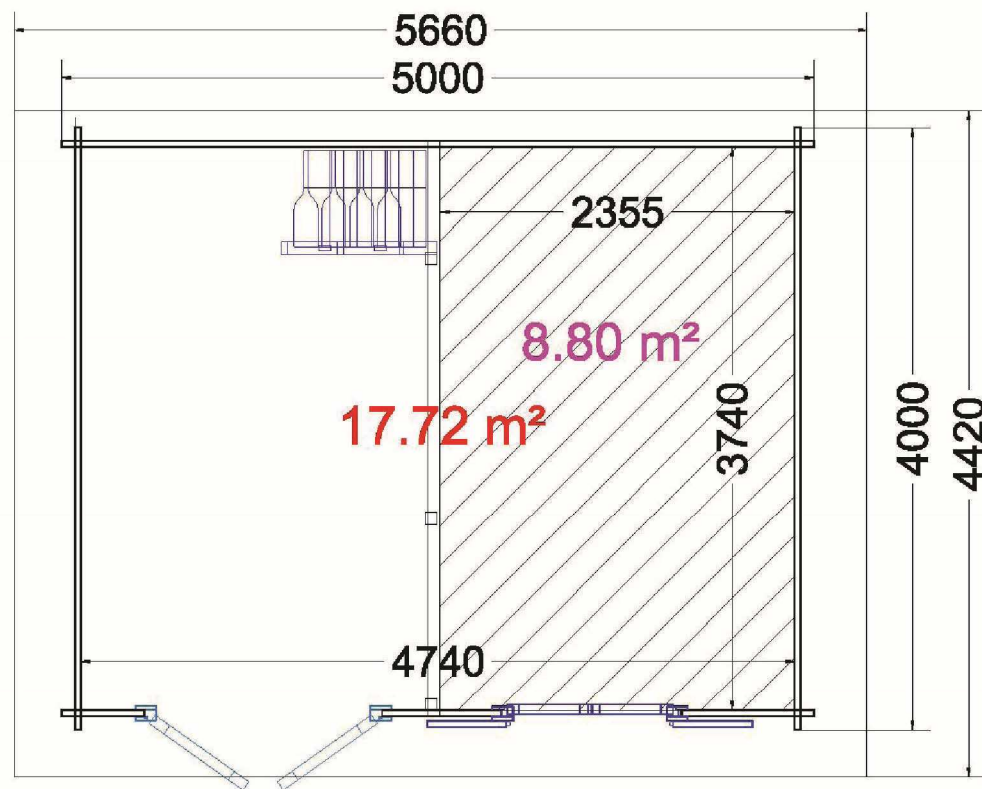


**AGNES 40.8M2**

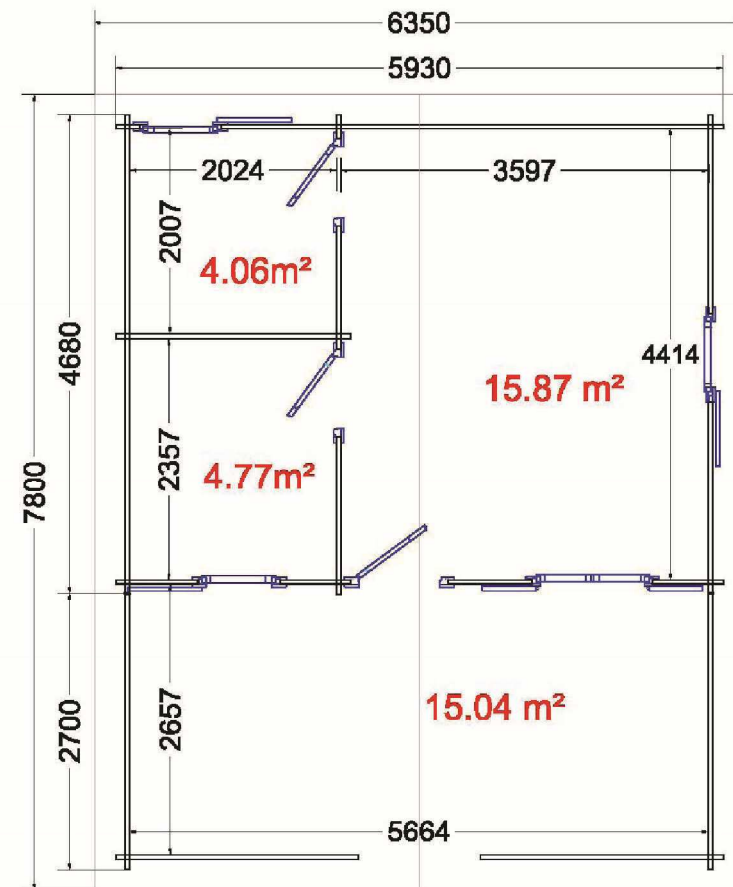




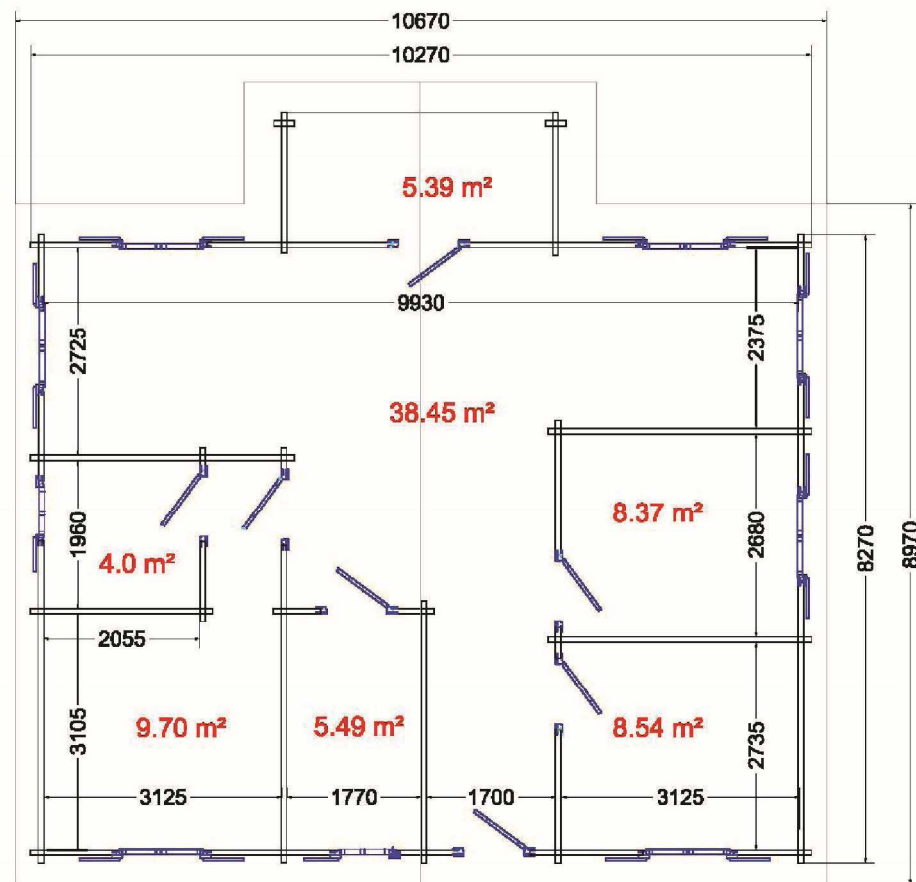
**ANCA 36.32M2**



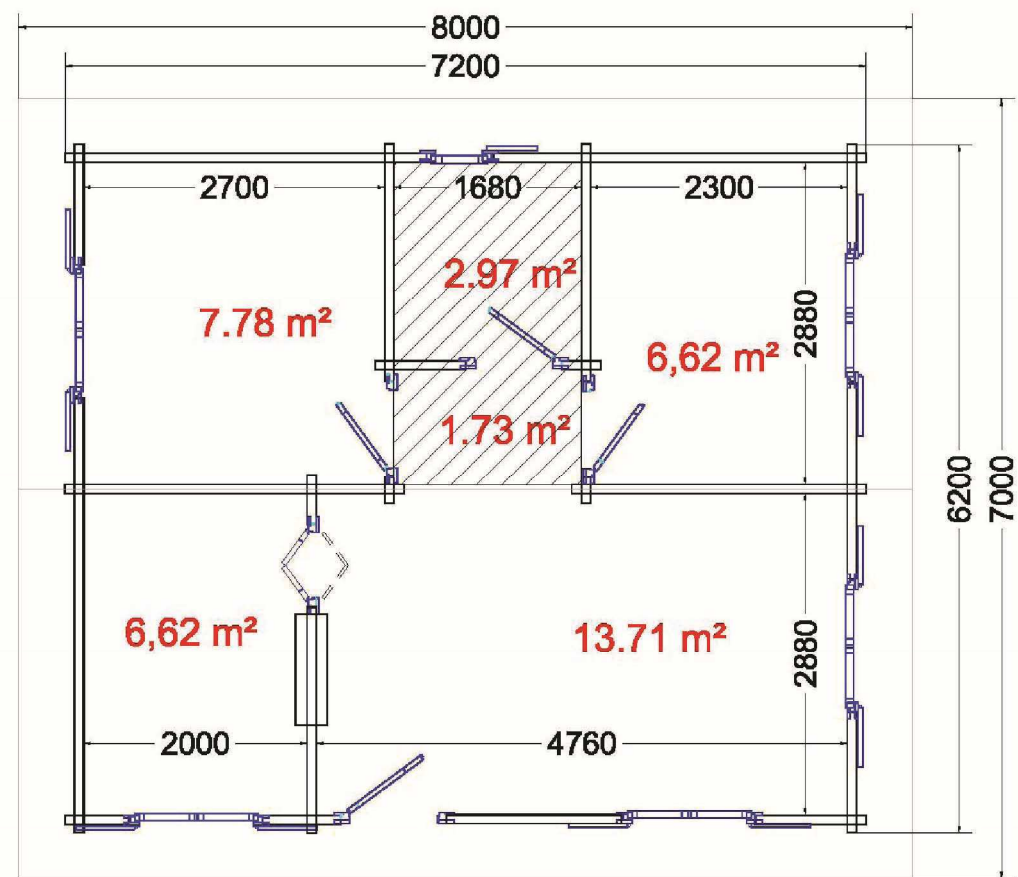
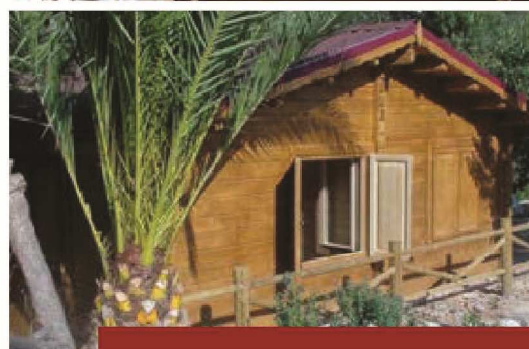
**ARCHE 26.53M2**



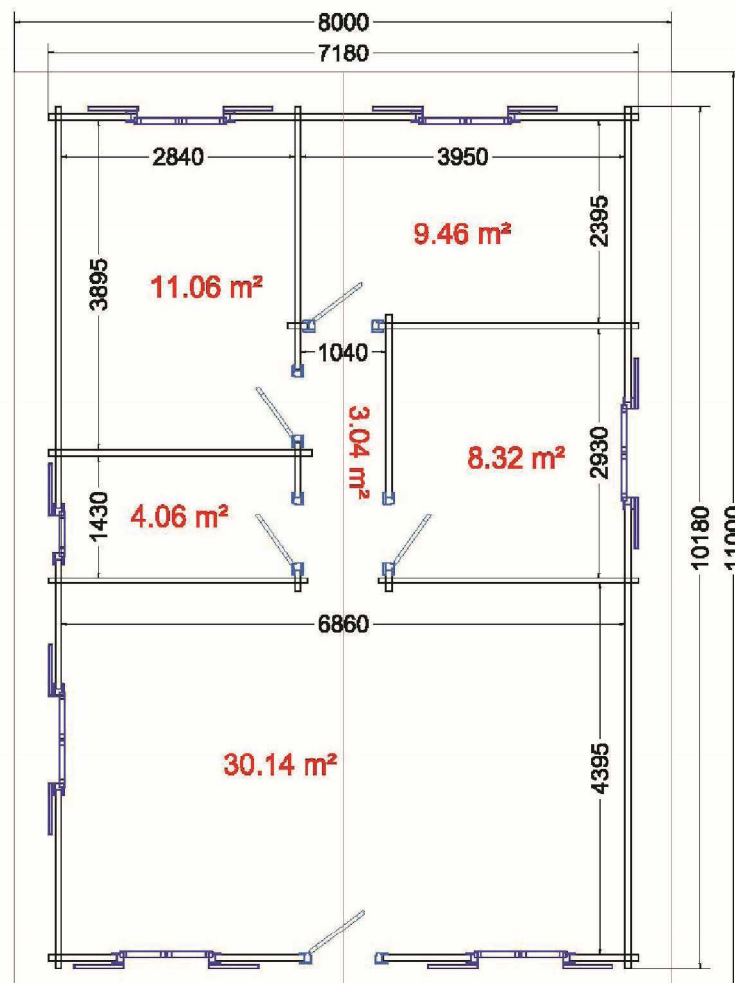
**BRAILA 39.74M2**



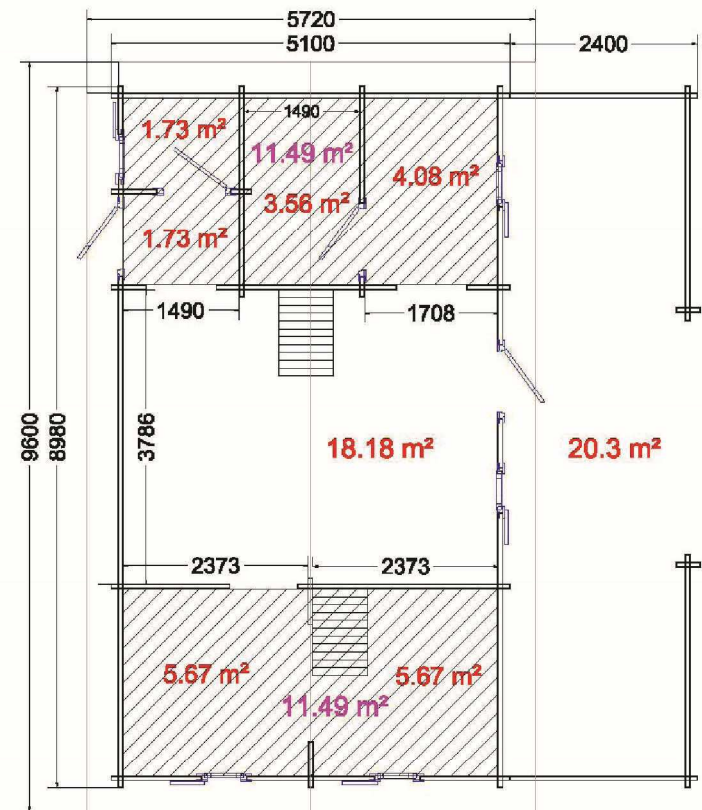
**CANARE 79.94M2**



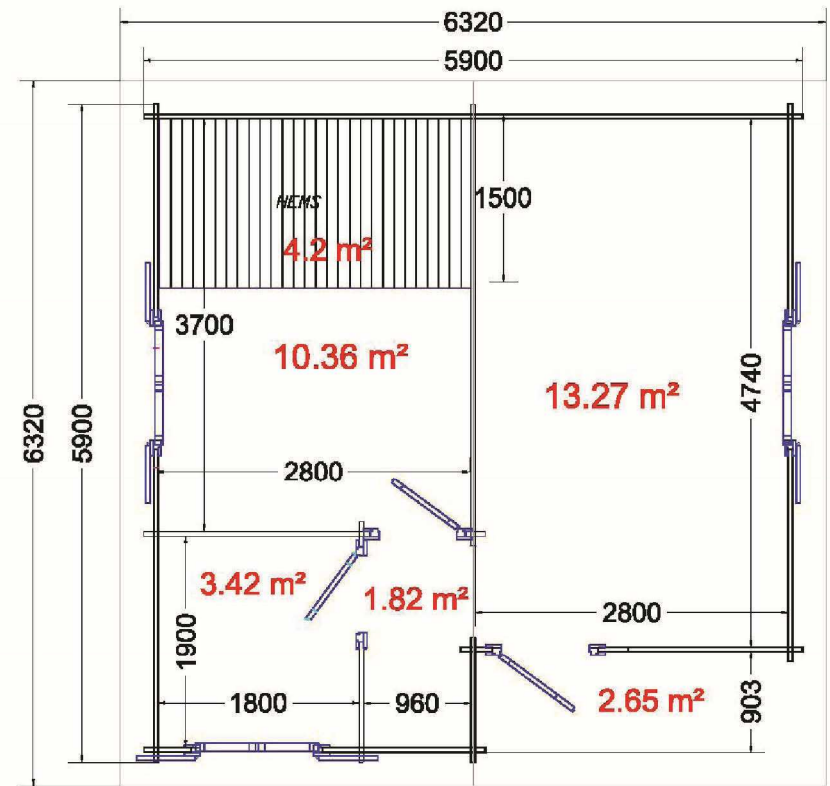
**CORDOBA 44.13M2**



**CRISTINA 66.08M2**

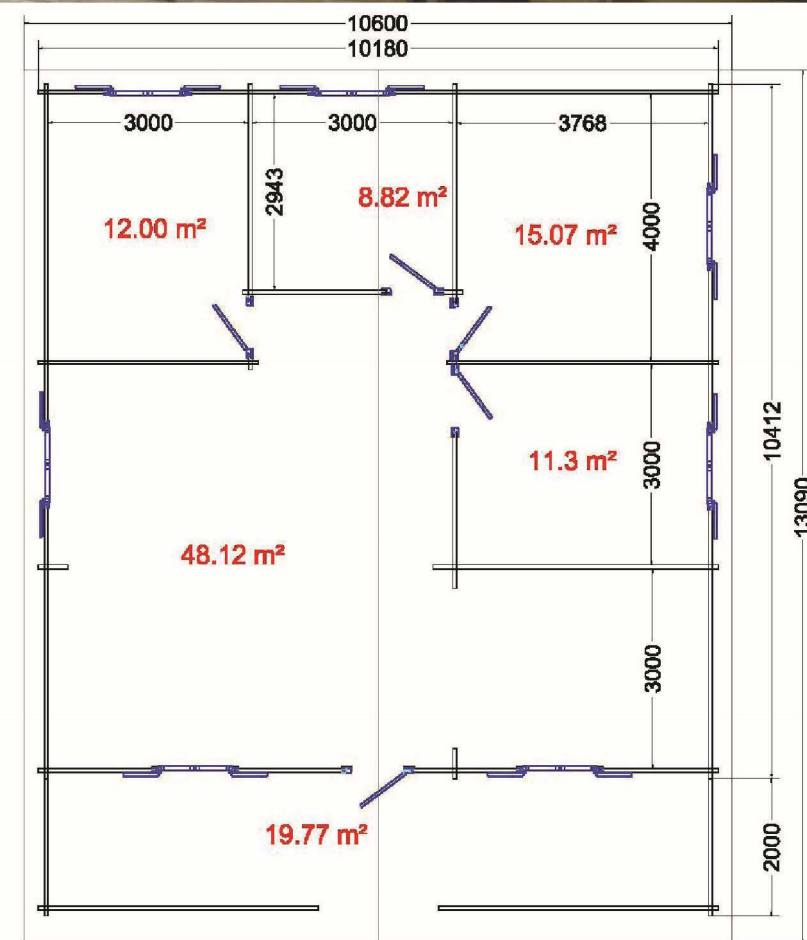


**GRANADA 63.6M2**

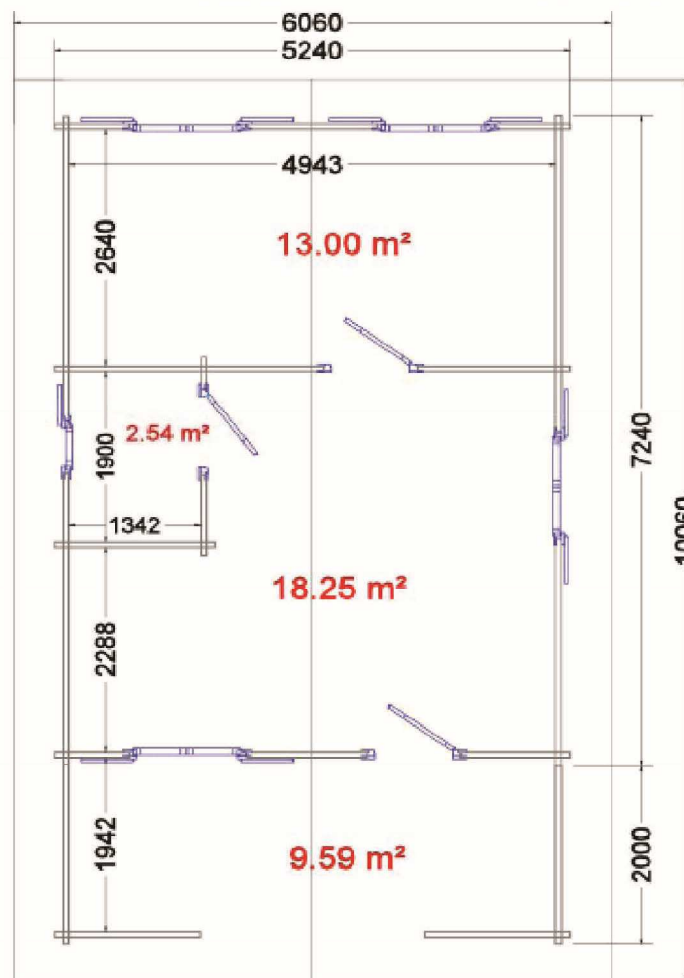


**HARGHITA 35.7M2**

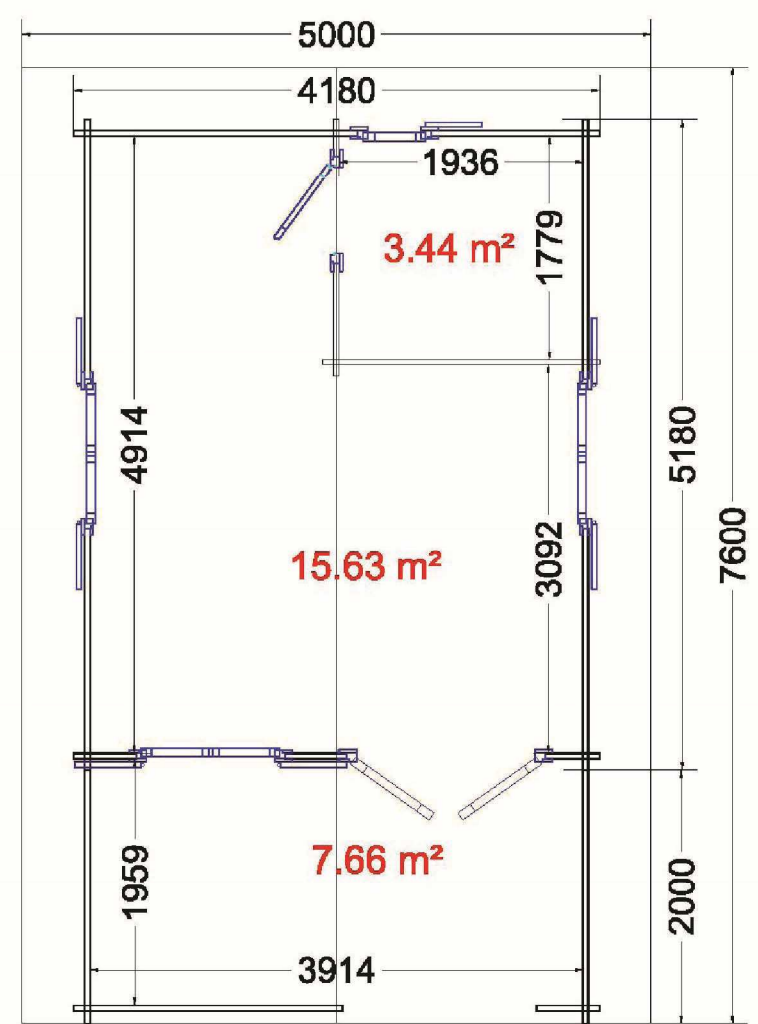




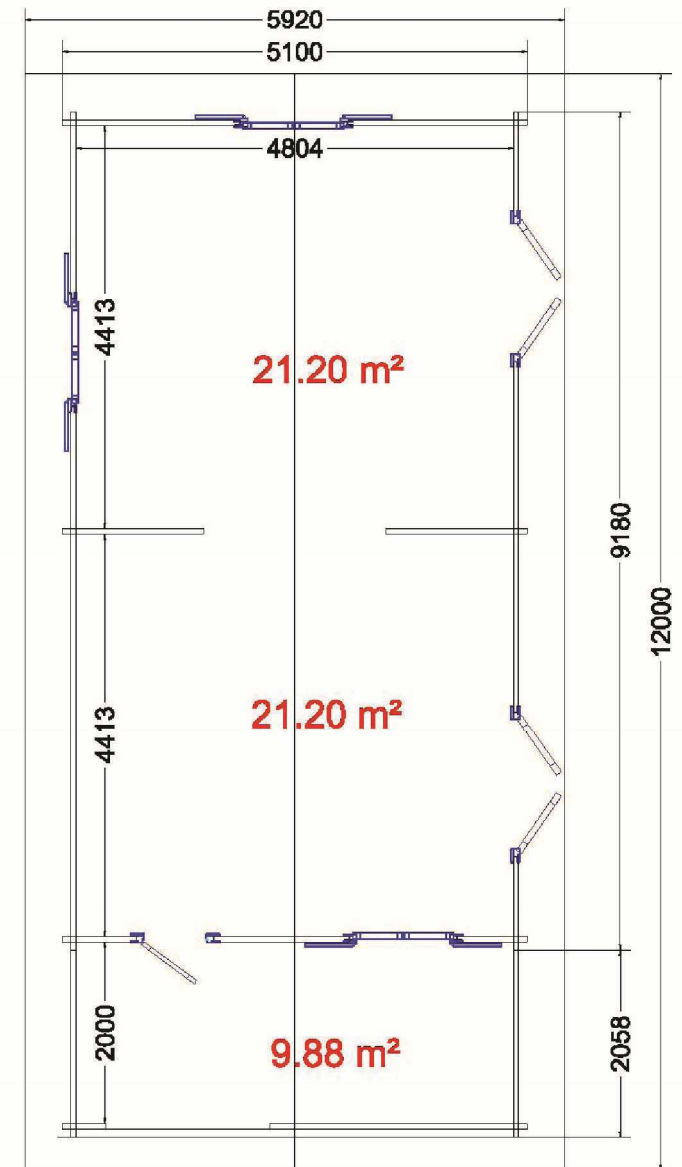
**LATINA 115.08M2**



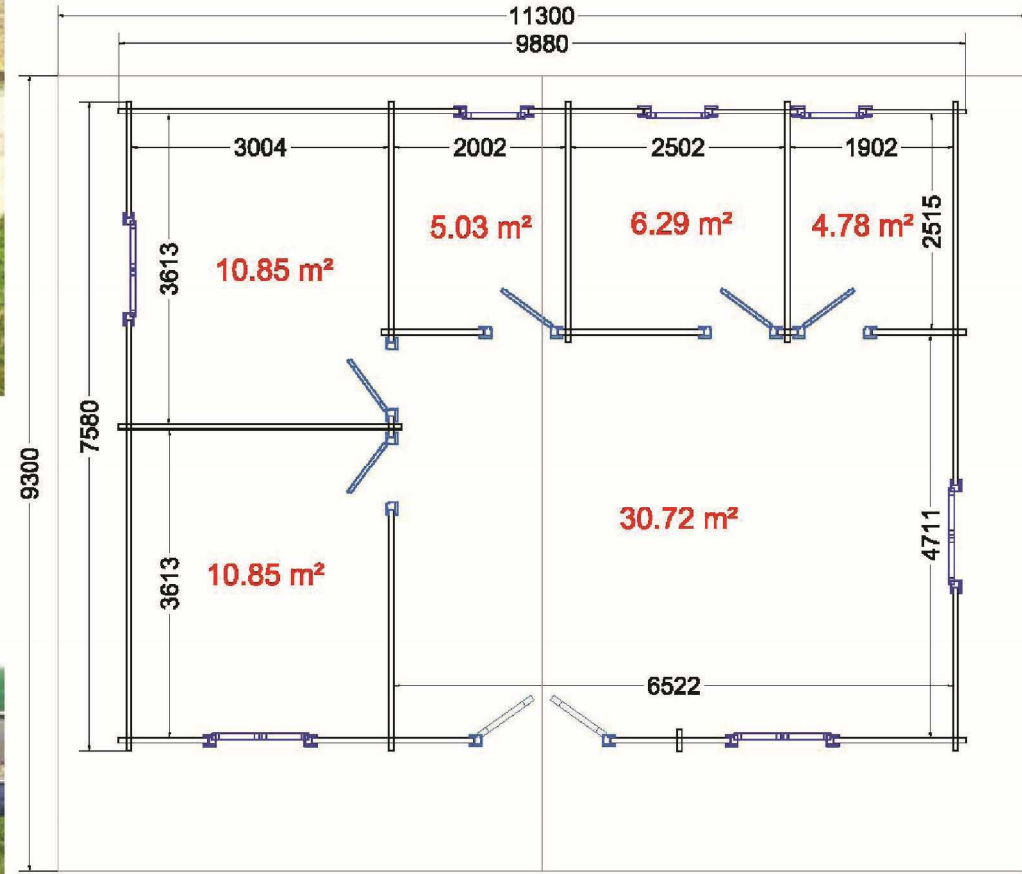
**LINARES 43.38M2**



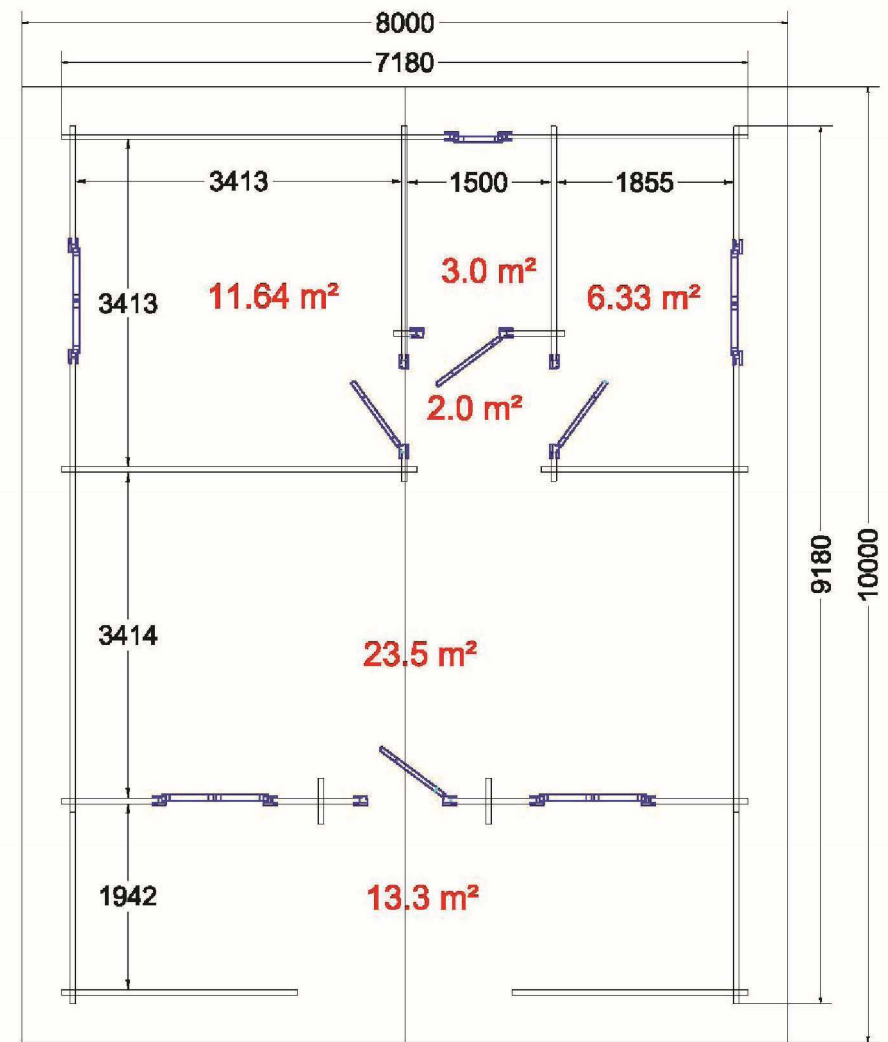
**OANA 26.73M2**



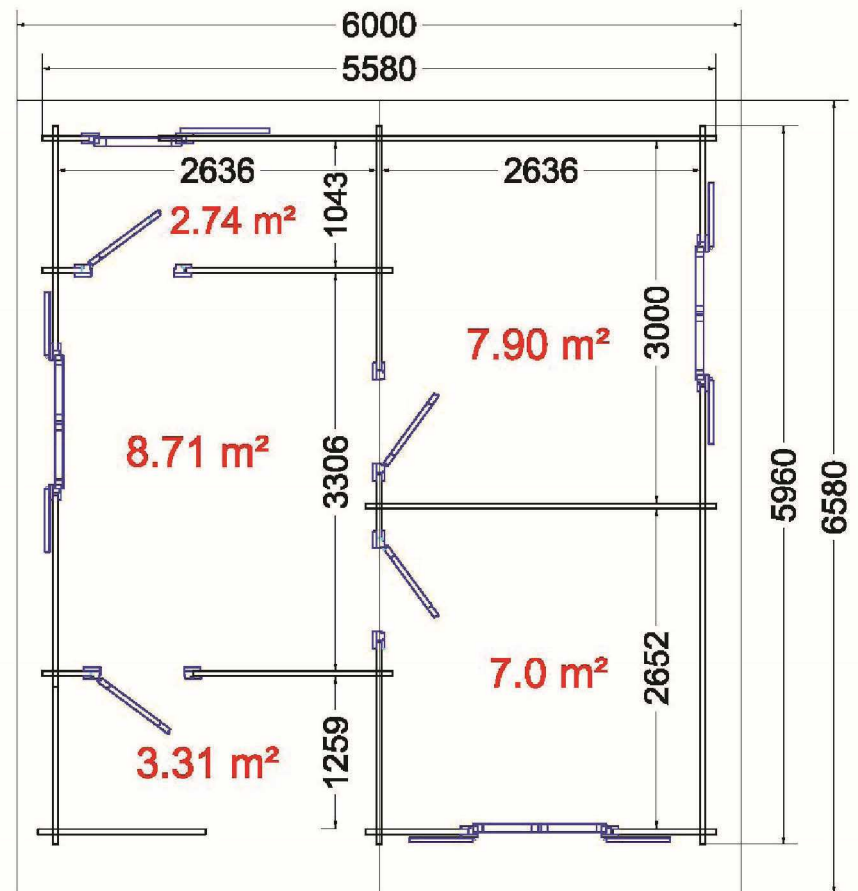
**OFFICE 52.28M2**



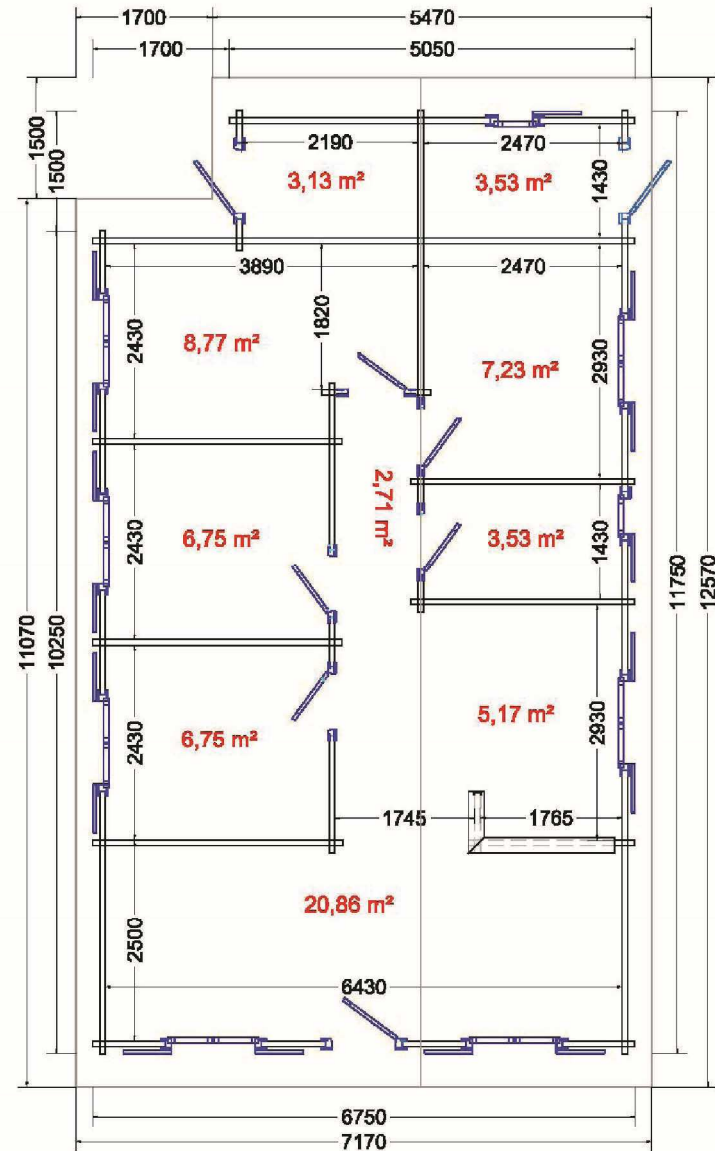
**ORADEA 68.52M2**



**PERUGIA 59.77M2**

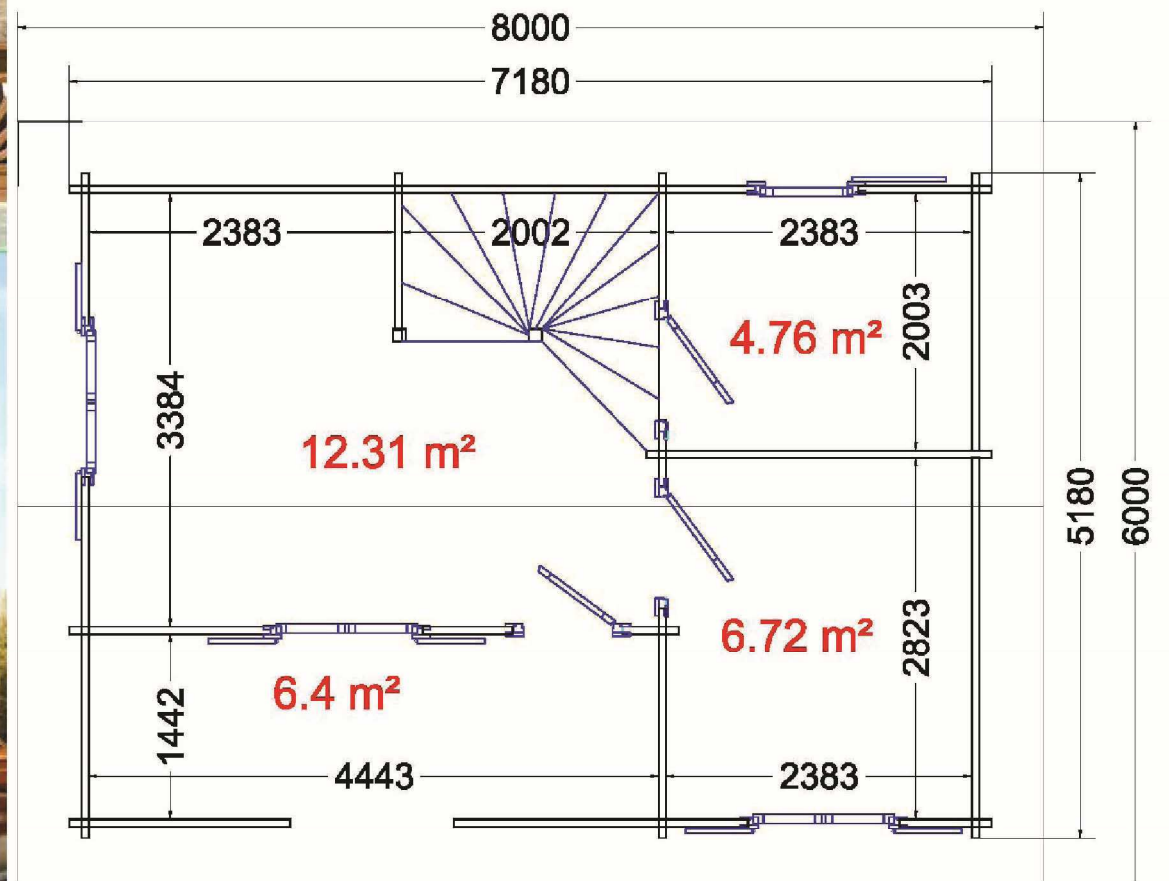


**SALAJ 29.66M2**

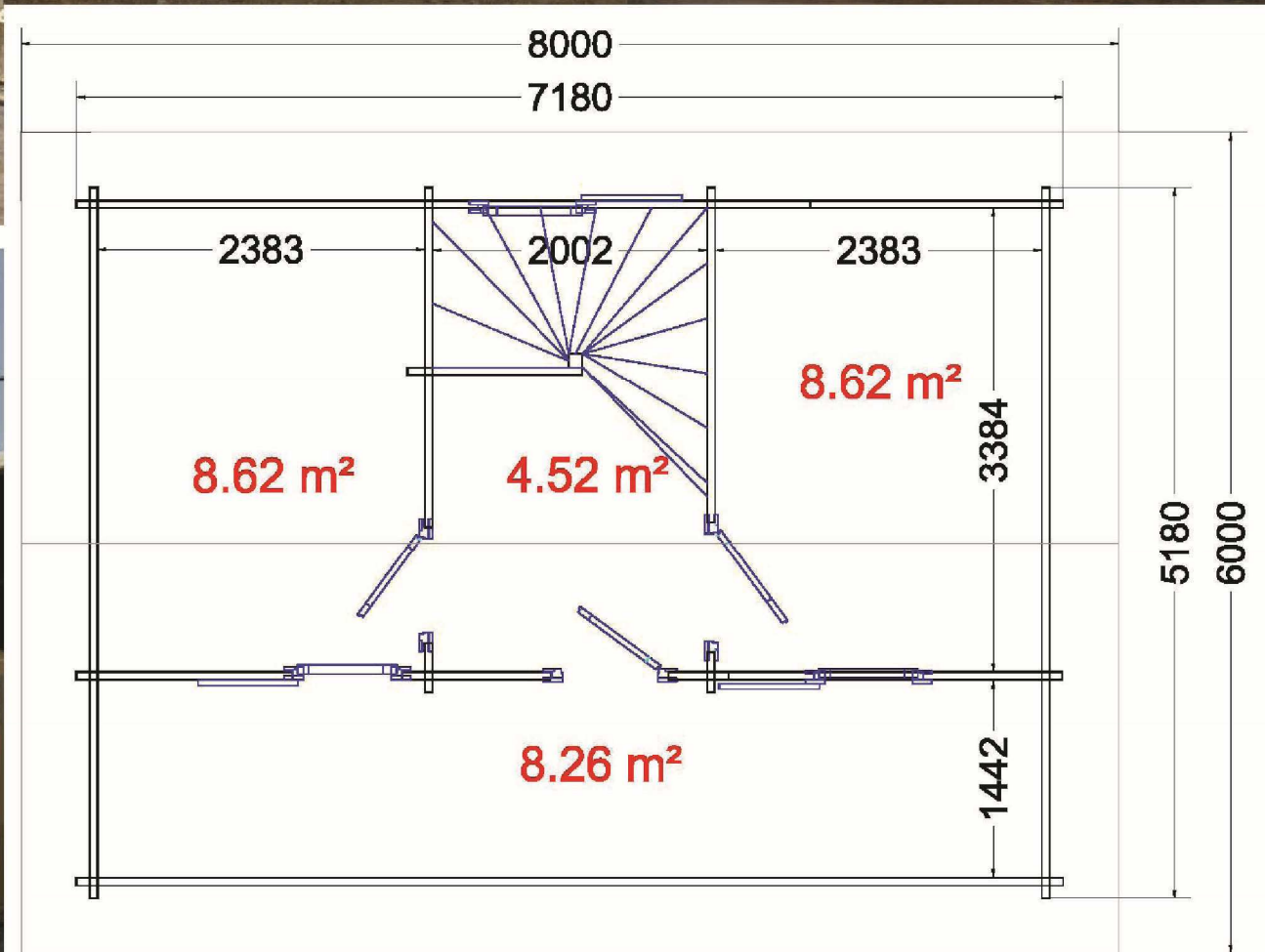
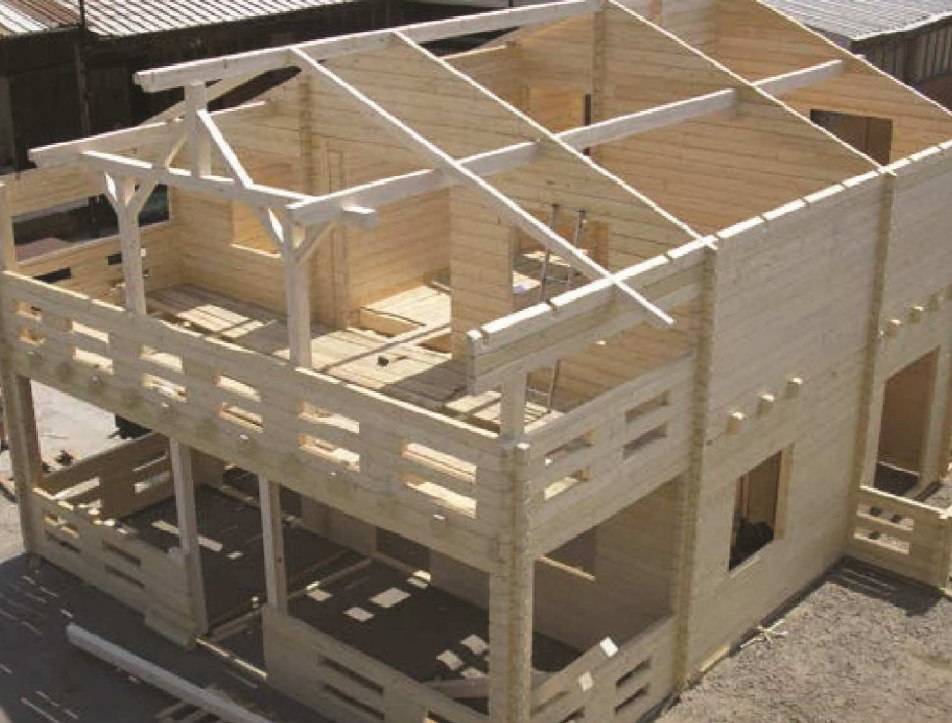


**SANDA 68.43M2**

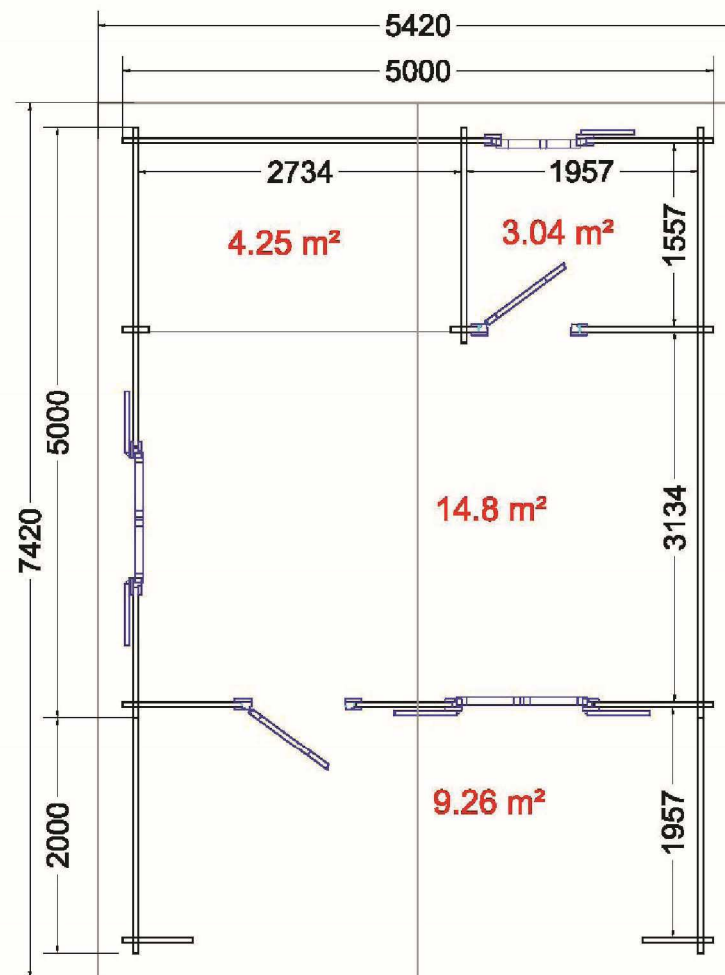
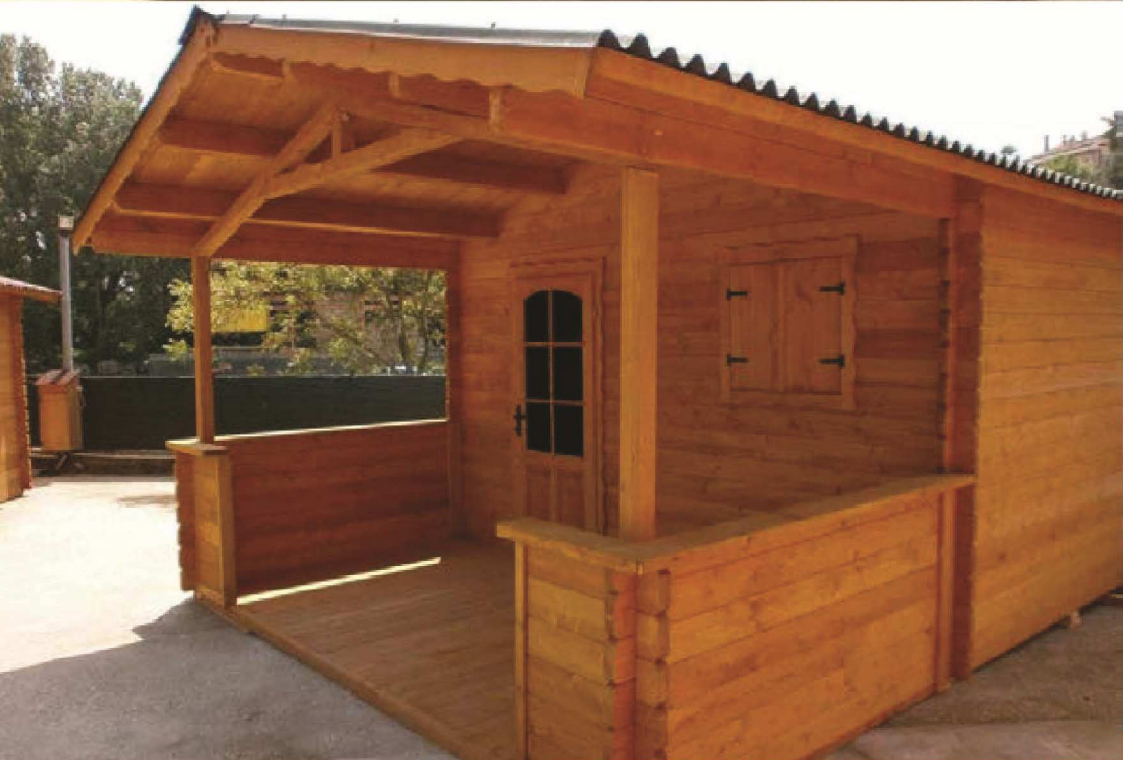




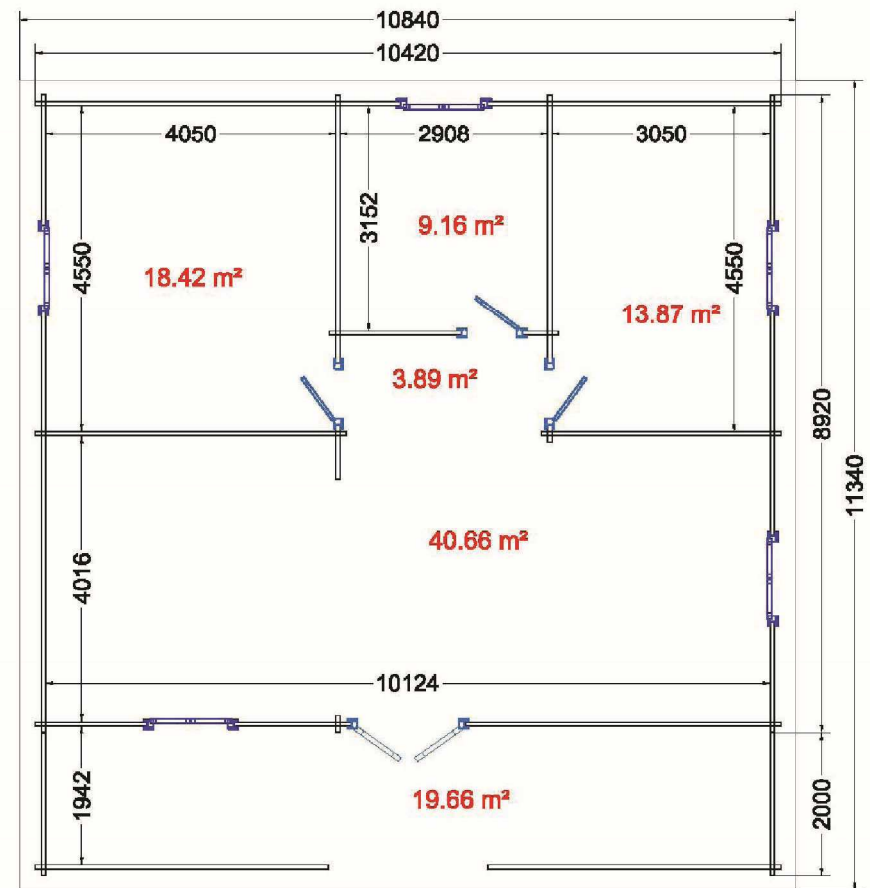
**SITHONIA 60.21M2 GROUND FLOOR**



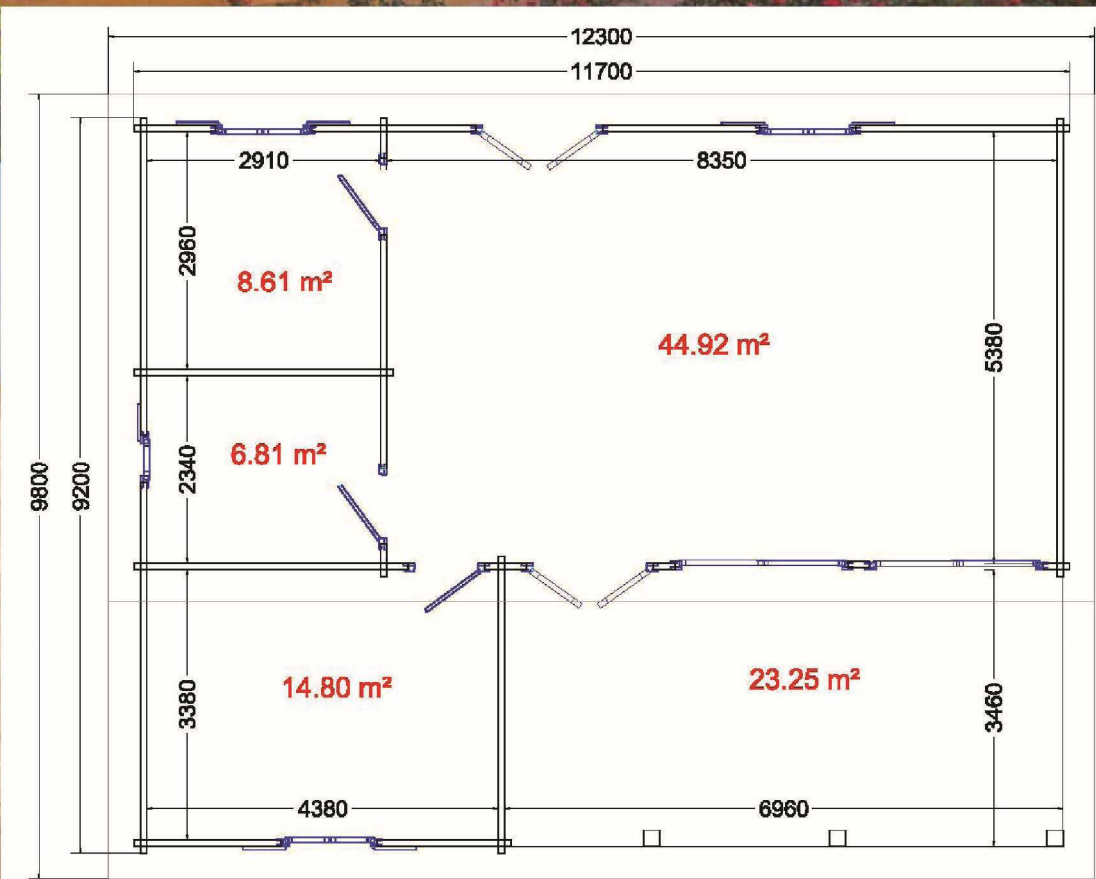
**SITHONIA** FIRST FLOOR



**TERNI 31.35M2**



**TIVOLI 105.66M2**



**TOSCANA 63.6M<sup>2</sup>**



**NORDIC LOG HOMES**  
The best choice of wooden houses